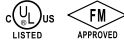


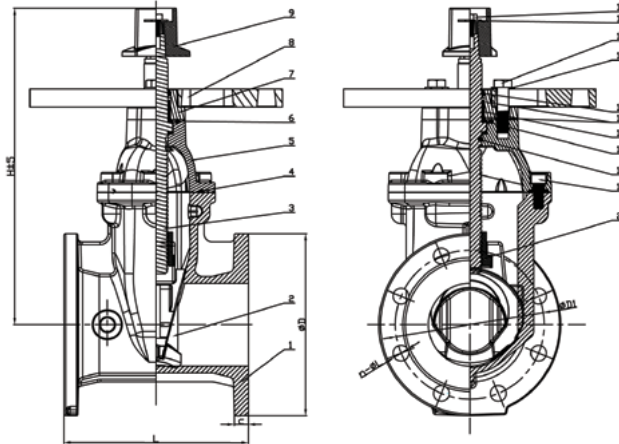
Flanged Resilient NRS Gate Valve with Post Flange (WGV45FF), UL/FM Approved



WGV45FF



- Flanged valve is consistent with ANSI B16.1
- Working Pressure: 300PSI
- Temperature Range: 0°C-80°C
- Coating: Fusion Bonded Epoxy Coating in accordance with ANSI/AWWA C550



MATERIAL SPECIFICATION

| Part No. | Part | Standard Specification | Options |
|----------|----------------------|--------------------------|---|
| 1 | Valve Body | ASTM A536, 65-45-12 | |
| 2 | Resilient Wedge Disc | ASTM A536, 65-45-12+EPDM | |
| 3 | Stem | AISI 431 | AISI 304, AISI 316, AISI 420, Al-bronze |
| 4 | Bonnet Gasket | EPDM | NBR |
| 5 | Bonnet | ASTM A536, 65-45-12 | |
| 6 | O-Ring | NBR | EPDM |
| 7 | Gland | ASTM A536, 65-45-12 | |
| 8 | Post Flange | ASTM A536, 65-45-12 | |
| 9 | Square Operating Nut | ASTM A536, 65-45-12 | |
| 10 | Bolt | Carbon Steel Zinc Plated | AISI 304, AISI 316 |
| 11 | Flat Washer | Carbon Steel Zinc Plated | AISI 304, AISI 316 |
| 12 | Nut | Carbon Steel Zinc Plated | AISI 304, AISI 316 |
| 13 | Flat Washer | Carbon Steel Zinc Plated | AISI 304, AISI 316 |
| 14 | Ring Wiper | EPDM | NBR |
| 15 | O-Ring | NBR | EPDM |
| 16 | Axis Guide | Brass Hpb59-1 | |
| 17 | Washer | Brass Hpb59-1 | |
| 18 | O-Ring | NBR | EPDM |
| 19 | Nut | Carbon Steel Zinc Plated | AISI 304, AISI 316 |
| 20 | Wedge Nut | Brass Hpb59-1 | Bronze ZQSn5-5-5 |

Note: For special material request other than standard specification, please indicate clearly on the inquiry or order list.
 Size 4"-5" with 1pc of 1/2" bronze NPT tapping plug, size 6"-12 with 1pc of 3/4" bronze NPT tapping plug.

| DN | | Dimensions(mm) | | | | | |
|------|-----|----------------|-----|-----|-------|------|----------|
| Inch | mm | L | H | D | D1 | C | n-ΦL |
| 4" | 100 | 229 | 395 | 229 | 190.5 | 19.1 | 8-Φ19.1 |
| 6" | 150 | 267 | 475 | 279 | 241.3 | 19.1 | 8-Φ22.2 |
| 8" | 200 | 292 | 585 | 343 | 298.5 | 22.2 | 8-Φ22.2 |
| 10" | 250 | 330 | 656 | 406 | 362 | 23.8 | 12-Φ25.4 |
| 12" | 300 | 356 | 751 | 483 | 431.8 | 25.4 | 12-Φ25.4 |