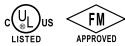


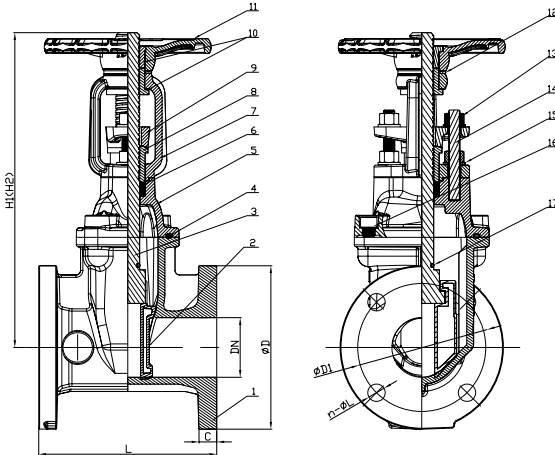
Flanged Resilient OS&Y Gate Valve (WGV41FF), UL/FM Approved



WGV41FF



- Pre-Grooved Stem
- NSF/ANSI 372
- AWWA C515
- Flanged valve is consistent with ANSI B16.1
- Working Pressure: 300PSI
- Temperature Range: 0°C-80°C
- Coating: Fusion Bonded Epoxy Coating Complies with ANSI/AWWA C550



MATERIAL SPECIFICATION

Part No.	Part	Standard Specification	Options
1	Valve Body	ASTM A536, 65-45-12	
2	Resilient Wedge Disc	ASTM A536, 65-45-12+EPDM	
3	Stem	ANSI 420	AISI 304, AISI 316, AISI 431, Al-bronze
4	Bonnet Gasket	EPDM	
5	Bonnet	ASTM A536, 65-45-12	
6	Stem Packing	EPDM	
7	Yoke	ASTM A536, 65-45-12	
8	Stem Bushing	Brass Hpb59-1	
9	Gland	ASTM A536, 65-45-12	
10	Stem Nut	Brass Hpb59-1	Bronze ZQSn5-5-5
11	Handwheel	ASTM A536, 65-45-12	Pressed Steel
12	Washer	Brass Hpb59-1	
13	Gland Nut	Carbon Steel Zinc Plated	AISI 304, AISI 316
14	Stud	Carbon Steel Zinc Plated	AISI 304, AISI 316
15	Flat Washer	Carbon Steel Zinc Plated	AISI 304, AISI 316
16	Nut	Carbon Steel Zinc Plated	AISI 304, AISI 316
17	O-Ring	EPDM	NBR

Note: For special material request other than standard specification, please indicate clearly on the inquiry or order list.

DN		Dimensions (in)						
Inch	mm	L	H1(close)	H2(Open)	D	D1	C _{min}	n-ØL
2"	50	7	13.70	15.74	6.00	4.75	0.62	4-3/4
2.5"	65	7.48	14.69	17.32	7.0	6.0	0.69	4-3/4
3"	80	7.99	16.06	19.29	7.5	7.0	0.75	4-3/4
4"	100	9.02	18.54	22.56	9	7.5	0.75	8-3/4
5"	125	10.00	21.30	26.18	10	8.5	0.75	8-7/8
6"	150	10.51	23.66	29.72	11	9.5	0.75	8-7/8
8"	200	11.50	30.47	38.39	13.5	11.75	0.875	8-7/8
10"	250	12.99	40.51	50.5	16	14.25	0.94	12-1
12"	300	14.02	41.93	53.94	19	17	1	12-1