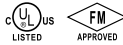


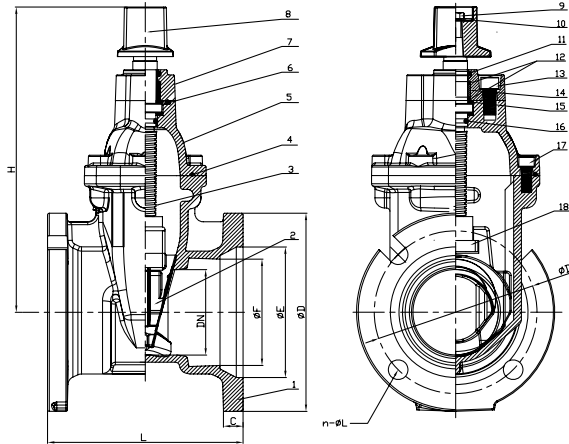
Mechanical Joint NRS Gate Valve
 Resilient Wedge, with Square
 Operating Nut (WGV35MMSN),
 UL/FM Approved



WGV35MMSN



- Connection Ends: Flange to ASME B16.1 CL 125
- Working Pressure: 300PSI
- Temperature Range: 0°C - 80°C
- Coating: Fusion Bonded Epoxy Coating in accordance with ANSI/AWWA C550



MATERIAL SPECIFICATION

Part No.	Part	Standard Specification	Options
1	Valve Body	ASTM A536, 65-45-12	
2	Resilient Wedge Disc	ASTM A536, 65-45-12+EPDM	
3	Stem	AISI 431	AISI 304, AISI 316, AISI 420, Al-bronze
4	Bonnet Gasket	EPDM	NBR
5	Bonnet	ASTM A536, 65-45-12	
6	O-Ring	NBR	EPDM
7	Gland	ASTM A536, 65-45-12	
8	Post Flange	ASTM A536, 65-45-12	
9	Square Operating Nut	ASTM A536, 65-45-12	
10	Bolt	Carbon Steel Zinc Plated	AISI 304, AISI 316
11	Flat Washer	Carbon Steel Zinc Plated	AISI 304, AISI 316
12	Nut	Carbon Steel Zinc Plated	AISI 304, AISI 316
13	Flat Washer	Carbon Steel Zinc Plated	AISI 304, AISI 316
14	Ring Wiper	EPDM	NBR
15	O-Ring	NBR	EPDM
16	Axis Guide	Brass Hpb59-1	
17	Washer	Brass Hpb59-1	
18	O-Ring	NBR	EPDM
19	Nut	Carbon Steel Zinc Plated	AISI 304, AISI 316
20	Wedge Nut	Brass Hpb59-1	Bronze ZQSn5-5-5

Note: For special material request other than standard specification, please indicate clearly on the inquiry or order list.
 Size 4"-5" with 1pc of 1/2" bronze NPT tapping plug, size 6"-12 with 1pc of 3/4" bronze NPT tapping plug.

DN		Dimensions (in)							
Inch	mm	L	H	D	D1	E	F	C _{min}	n-ØL
2"	50	7.99	10.94	5.98	4.75	3.5	2.61	0.62	4-3/4
3"	80	9.02	12.64	7.69	6.19	4.94	4.06	0.75	4-3/4
4"	100	9.02	14.76	9.12	7.5	6.02	4.9	0.75	8-3/4
6"	150	11.5	17.91	11.12	9.5	8.12	7	0.75	8-7/8
8"	200	12.52	22.24	13.37	11.75	10.27	9.15	0.875	8-7/8
10"	250	14.76	25.04	15.62	14	12.34	11.2	0.94	12-1
12"	300	14.88	28.78	17.88	16.25	14.44	13.3	1	12-1