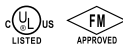


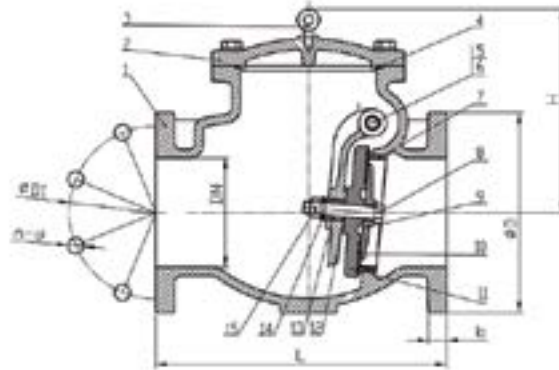
Flanged Resilient Swing Check Valve (WSC44FF), UL/FM Approved 3/4" Tapping, NSF 372 Compliant



WSC44FF



- Flanged valve is consistent with ANSI B16.1
- Working Pressure: 300PSI
- Temperature Range: 0°C-80°C
- Coating: Fusion Bonded Epoxy Coating in accordance with ANSI/AWWA C550



MATERIAL SPECIFICATION

Part No.	Part	Standard Specification	Options
1	Valve Body	ASTM A536,65-45-12	
2	Bonnet	ASTM A536,65-45-12	
3	Eye Bolt	Carbon Steel Zinc Plated	
4	O-Ring	NBR	EPDM
5	Hinge Pin	AISI 304	
6	Hinge Bushing	Brass ASTM B16 C36000/Hpb63-3	
7	Seat Ring	Bronze ASTM B62 C83600/ZQSn5-5-5(Pressed Fit)	AISI 304, AISI 316 Pressed Fit or Threaded
8	Disc Seat Bolt	AISI 304	
9	Retainer Washer	Bronze ASTM B62 C83600/ZQSn5-5-5	
10	Disc Sealing Ring	EPDM	AISI 304, AISI 316, Bronze ASTM B62
11	Disc	ASTM A536,65-45-12	
12	Clapper Arm	ASTM A536,65-45-12	
13	Stud Bushing	Brass ASTM B16 C36000/Hpb63-3	
14	O-Ring	NBR	EPDM
15	Nut	AISI 304	AISI 316

Note: For special material request other than standard specification, please indicate clearly on the inquiry or order list.

Size (Inch)	PSI	Dimensions (inch)					
		L	D	D1	b	n-d	H
2"	300	7.99	5.98	4.74	0.63	4-0.75	5.28
2.5"	300	10.00	7.01	5.49	0.69	4-0.75	5.79
3"	300	10.95	7.52	6.00	0.75	4-0.75	5.91
4"	300	12.99	9.02	7.50	0.95	8-0.75	8.86
6"	300	15.98	10.98	9.51	1.00	8-0.87	11.81
8"	300	19.49	13.50	11.75	1.12	8-0.87	14.06
10"	300	24.49	15.98	14.25	1.20	12-1.00	16.54
12"	300	25.98	19.02	17.01	1.26	12-1.00	18.11