



WARDFLEX® Floor Flanged Termination Fitting

Ward Manufacturing, LLC.
 117 Gulick Street
 Blossburg, PA 16912
 Tel. (800)248-1027
 www.wardflex.com
 www.wardmfg.com

Description:

The 3/8" thru 1-1/4" WARDFLEX® tubing is terminated using the patented, STEPSAVER double seal fitting. The 1-1/2" and 2" tubing utilize the WARDFLEX® traditional gasketed fitting design. Only fittings designed and listed for use with the WARDFLEX® and WARDFLEX® II CSST Piping Systems shall be used when connecting to the flexible piping.

Features:

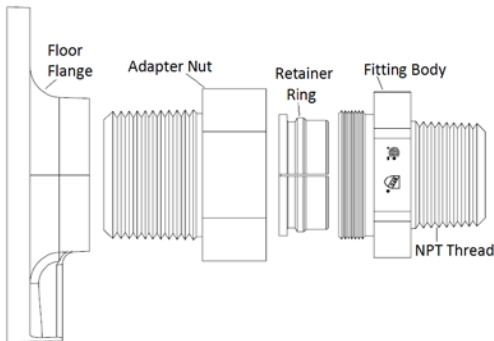
- Provides fixed termination on floor
- Approved for concealed use
- One corrugation crush seal
- Reusable
- 3/8" through 1-1/4" patented STEPSAVER fittings
 - Primary metal to metal seal
 - Secondary gasket seal
- 1-1/2" and 2" fittings
 - Reliable gasket seal

Components:

- Male NPT Body
- Retainer Ring
- Adapter Nut
- Gasket
- Floor Flange

Listings:

- CSA: File# 112940_0_000
- FM 3011939
- IAPMO: File# 3353
- ICC: Report# ESR-1879



Technical Data:

General

Certified Operating Pressure	25 psi
------------------------------	--------

Material

Body, Retainer Ring & Adapter Nut	Brass
Floor Flange	Malleable Iron
Gasket	Composite Fiber

Dimensions

Price Sheet Item #	CSST Size	NPT Size	Nut Hex	Fitting Hex	Flange Diameter	Maximum Tightening Torque (ft/lbs)	Approximate Weight (lbs)
300	3/8"	1/2"	1-3/16"	1-1/16"	3.25"	50	1.00
301	1/2"	1/2"	1-3/16"	1-1/16"	3.25"	50	0.90
302	3/4"	3/4"	1-1/2"	1-1/2"	3.88"	120	1.56
304	1"	1"	1-3/4"	1-3/4"	3.88"	160	1.72